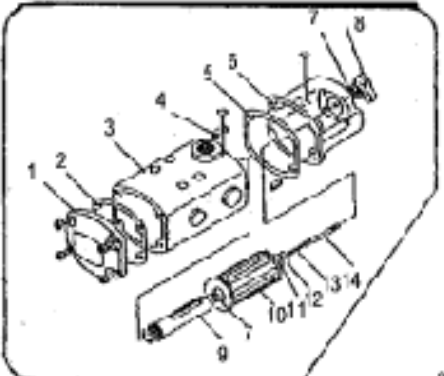


Jallo Equipment & Supply Inc.
 3029 S. 26th Ave.
 Broadview, IL 60155
 (708) 410-1780 Phone
 (708) 410-1790 Fax
www.jallo.com
Jallo@ais.net

#	Part name	Part number	
1	Cap	3300010010	2
2	Gasket	4300020010	4
3	Case (A)	1330070010	1
4	Spring Pin	33641205110	2
*5	Rubber Pecking	4300814010	2
6	Filter Case KRA-3	2300002010	1
*7	Packing	4301450010	
8	Knob/rol Assembly	4334847020	2
9	Filter Pipe	4302811010	1
10	Filter Element	4300451010	2
11	Packing	4302868020	1
12	Washer	4300830010	1
13	Spring	4300320010	2
14	Stay Bot	4300023010	1
15	VFA8 Assembly	3300216010	1
16	MFA8 Assembly	3300209010	1
17	Vacuum Gauge	4340737010	1
18	Vacuum Regulator	33000285010	1
19	Gasket	4300043010	8
20	Manifold Gasket	4300018010	2
21	Coupling Pump side	4300339030	1
22	Spider	4302338030	1
23	Coupling Motor Side	4300339090	1
24	Coupling Cover	3340705010	1
25	Base	3300122010	1
26	Fan Cover	3340701010	1
27	Cooling Fan	3300024030	1
28	Bearing Retainer	4308352040	2
29	Liner	Liner	
30	Bearing	33002186220	2
31	Spacer	4300036010	2
32	Taper P n	3361114100	4
33	Side Plate F.S.	3300017010	1
34	Vane/Blade	4007480010	6
35	Rotor	2300767010	1
36	Key	33300512300	1
37	Side Plate M.S.	3300018010	1
*38	Pressure Gauge	4302320010	1
*39	Pressure Controller	3300048010	1



**Orion Dry Vacuum Pump
 Model KRA-8
 Parts Breakdown**

